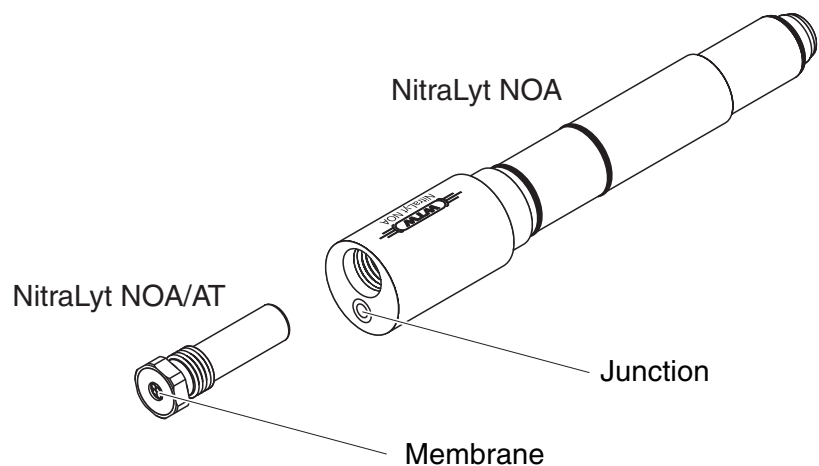


## Installation instructions

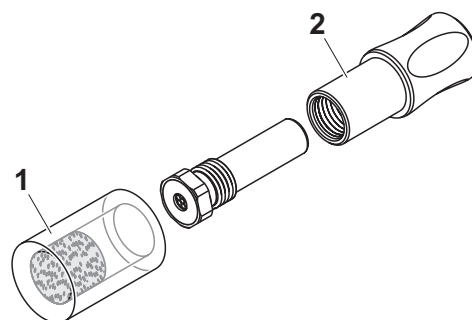
### Exchange electrode

# NitraLyt<sup>®</sup> NOA/AT

for the NitraLyt<sup>®</sup> NOA reference electrode

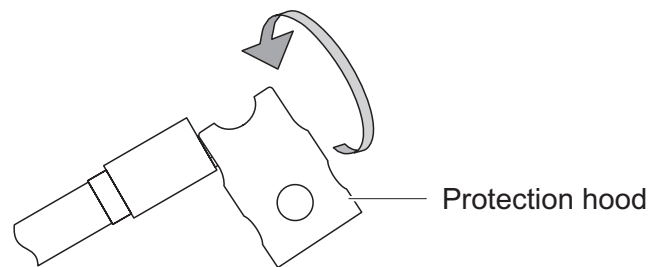


Insert the NitraLyt<sup>®</sup> NOA/AT exchange electrode in the NitraLyt<sup>®</sup> NOA reference electrode:



- 1 Remove the watering cap (1) and nut (2) from the exchange electrode. Store both accessories. You need them if you want to store the reference electrode.

- 2 | Screw the NitraLyt® NOA/AT exchange electrode into the NitraLyt® NOA reference electrode without leaving any gap. A flat wrench (wrench size 13 mm) or the protective hood of the sensor is suitable as a wrench (see following figure).

**Caution**

The membrane and junction of the electrode must never

- dry up (observe notes on storage)
- be damaged
- be brought into contact with grease.

**Note**

After installing the electrode tap your finger against the combination electrode to remove any air bubbles from the back of the membrane. When doing so hold the electrode in an upright position (membrane downward).

**Cleaning**

In built-in condition:

Splash the NitraLyt® NOA/AT electrode with water. Remove coarse contamination using a soft toothbrush under running water.

**Note**

For the Technical Data of the electrode, refer to the operating manual of the NitraLyt® NOA reference electrode.

Instructions on how to install the electrode in the NitraLyt® 700 IQ sensor are given in the operating manual of the NitraLyt® 700 IQ sensor.