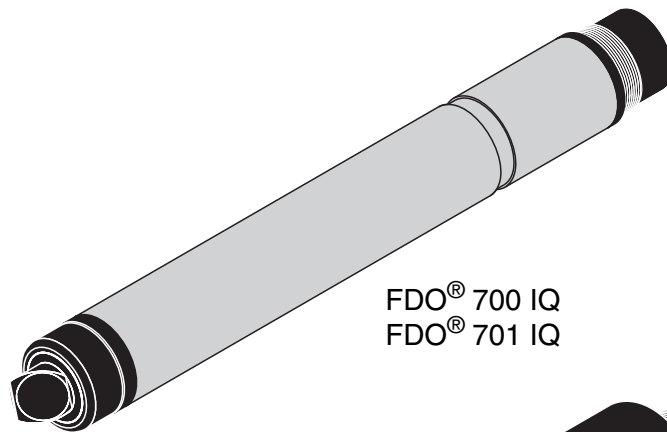
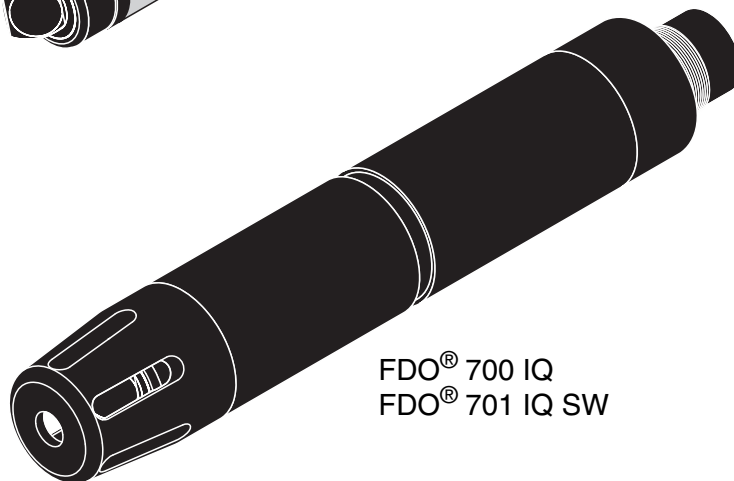


FDO[®] 70x IQ (SW)



FDO[®] 700 IQ
FDO[®] 701 IQ



FDO[®] 700 IQ
FDO[®] 701 IQ SW

Optical IQ SENSOR NET D.O. sensors



Note

The latest version of the present operating manual can be found on the Internet under www.WTW.com.

Copyright

© Weilheim 2011, WTW GmbH

Reprinting - even as excerpts - is only allowed with the explicit written authorization of WTW GmbH, Weilheim.

Printed in Germany.

FDO[®] 70x IQ (SW) - Contents

1	Overview	1-1
1.1	How to use this component operating manual	1-1
1.2	Models	1-2
1.3	Recommended fields of application	1-3
1.4	Structure	1-4
2	Safety	2-1
2.1	Authorized use	2-2
2.2	General safety instructions	2-2
3	Commissioning	3-1
3.1	Scope of delivery	3-1
3.2	IQ SENSOR NET system requirements	3-1
3.3	Installation	3-1
3.4	Commissioning / Getting the instrument ready for measuring	3-3
3.5	FDO [®] 70x IQ (SW) setting table	3-4
4	Measuring / Operation	4-1
4.1	Measuring	4-1
4.2	Function check and user calibration	4-1
4.2.1	General information	4-1
4.2.2	Function check	4-2
4.2.3	User calibration	4-4
4.2.4	Calibration history	4-6
4.2.5	Reactivating previous calibration data	4-7
5	Maintenance, cleaning, replacement parts	5-1
5.1	General maintenance instructions	5-1
5.2	Handling of the sensor cap	5-2
5.3	Exchanging the sensor cap	5-2
5.4	Cleaning the sensor	5-3
5.4.1	Exterior cleaning	5-3
5.4.2	Interior cleaning of sensor cap and sensor head	5-4
5.5	Replacement parts and accessories	5-5
6	What to do if...	6-1

7	Technical data	7-1
7.1	General measurement characteristics	7-1
7.2	Application conditions	7-1
7.3	General data	7-2
7.4	Electrical data	7-3
7.5	Technical data of the SC-FDO® 700	7-4
7.6	Technical data of the SC-FDO® 701	7-5
8	Indexes	8-1
8.1	Explanation of the messages	8-1
8.1.1	Error messages	8-1
8.1.2	Info messages	8-3
8.2	Status info	8-4

1 Overview

1.1 How to use this component operating manual

Structure of the IQ SENSOR NET operating manual

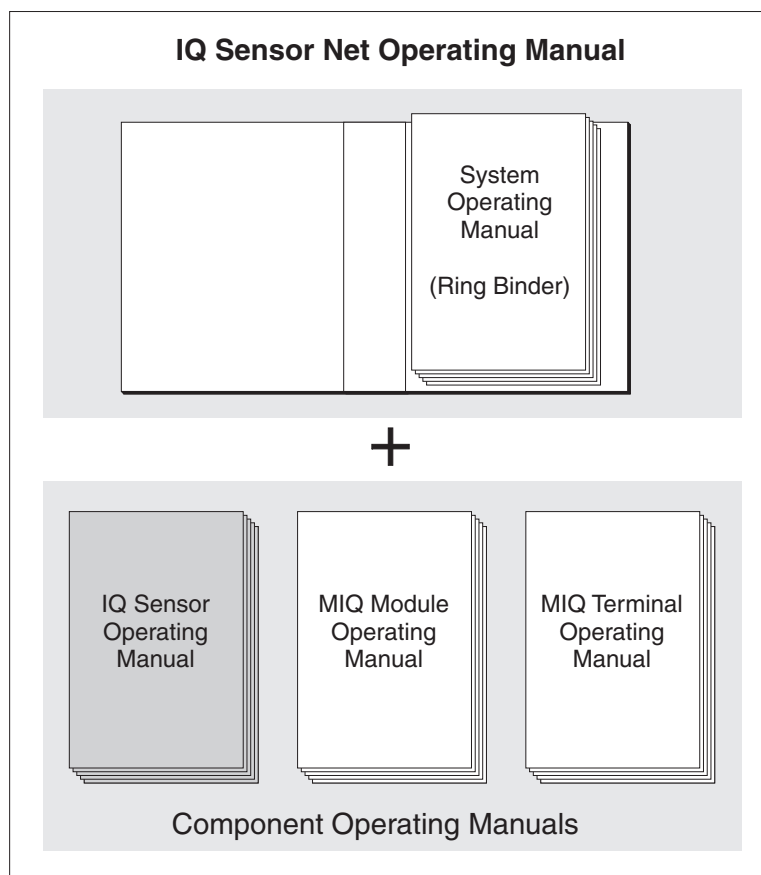


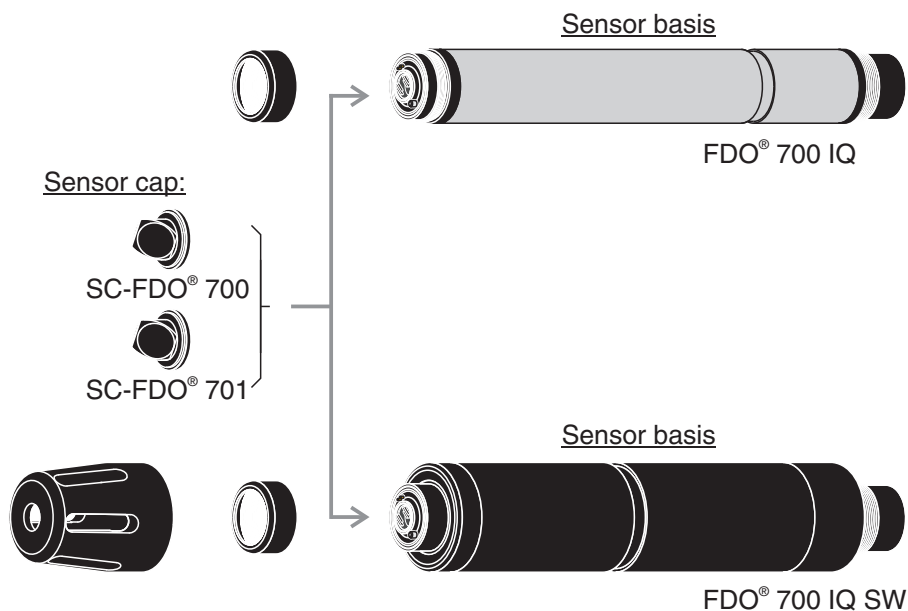
Fig. 1-1 Structure of the IQ SENSOR NET operating manual

The IQ SENSOR NET operating manual has a modular structure like the IQ SENSOR NET system itself. It consists of a system operating manual and the operating manuals of all the components used.

Please file this component operating manual into the ring binder of the system operating manual.

1.2 Models

The FDO® 70x IQ (SW) consists of a sensor basis equipped with different sensor cap types, depending on the model:



Models

Sensor model	Sensor basis *	Sensor cap
FDO® 700 IQ	FDO® 700 IQ	SC-FDO® 700
FDO® 700 IQ SW	FDO® 700 IQ SW	SC-FDO® 700
FDO® 701 IQ	FDO® 700 IQ	SC-FDO® 701
FDO® 701 IQ SW	FDO® 700 IQ SW	SC-FDO® 701

* Designation on the name plate in the plug head connector

The sensor cap primarily determines the measuring characteristics of the sensor as a whole. Thus the sensor can be adapted to the measuring job by exchanging the type of sensor cap. The specifications of the individual sensor cap types are given in chapter 7 TECHNICAL DATA.

SW models

Compared to the standard models, the sea water models of the sensors (SW models) are optimized concerning their resistance to corrosion in sea water and brackish water.

1.3 Recommended fields of application

Sensor model	Recommended field of application.
FDO® 700 IQ FDO® 701 IQ	Stationary measurements in water/wastewater applications.
FDO® 700 IQ SW FDO® 701 IQ SW	Stationary measurements in seawater, aquaculture. The FDO® 70x IQ SW is equipped with a protective hood that is prepared for the connection of the MSK FDO® CS cleaning set for compressed air-driven sensor cleaning (order information, see section 5.5 REPLACEMENT PARTS AND ACCESSORIES).

1.4 Structure

Structure

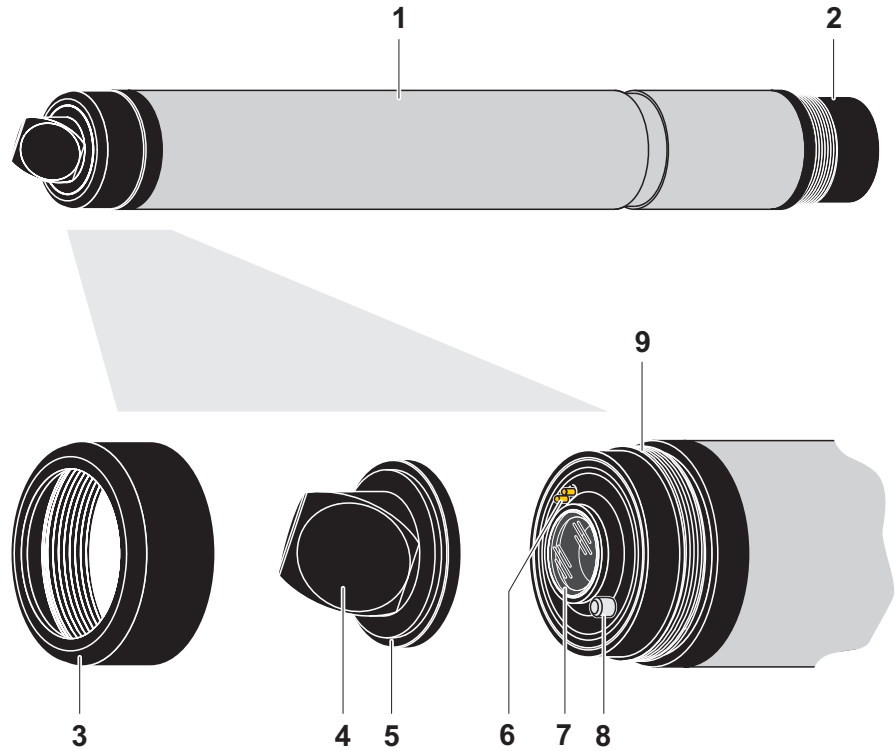


Fig. 1-2 Structure of the D. O. sensor (example: FDO® 70x IQ)

1	Shaft
2	Plug head connector
3	Fixing ring
4	Sensor membrane
5	Sensor cap with memory chip
6	Gold-plated contact pins for memory chip
7	Measurement window
8	Temperature sensor and locking device
9	Sensor head

Sensor cap with memory chip

A memory chip is integrated in the sensor cap. The following data is stored on the memory chip:

- Type designation of the sensor cap
- Series number
- Data of the factory calibration

Intelligent membrane (IQMC technology)

For each membrane the individual calibration values are determined by a factory calibration and stored on the memory chip of the sensor cap, ensuring maximum accuracy over the whole lifetime of the sensor.

2 Safety

This component operating manual contains special instructions that must be followed during the operation of the FDO[®] 70x IQ (SW) D.O. sensor. Thus, it is essential to read this component operating manual before carrying out any work using this sensor. In addition to this manual, the SAFETY chapter of the IQ SENSOR NET system operating manual must be followed.

Always keep this component operating manual together with the system operating manual and any other component operating manuals in the vicinity of the IQ SENSOR NET system.

General safety instructions

Safety instructions in this operating manual are indicated by the warning symbol (triangle) in the left column. The signal word (e.g. "CAUTION") indicates the danger level:



WARNING

indicates instructions that must be followed precisely in order to prevent serious dangers to personnel.



CAUTION

indicates instructions that must be followed precisely in order to avoid slight injuries to personnel or damage to the instrument or the environment.

Other labels



Note

indicates notes that draw your attention to special features.



Note

indicates cross references to other documents, e. g. operating manuals.

2.1 Authorized use

The authorized use of the FDO® 70x IQ (SW) comprises its use as a D.O. sensor in the IQ SENSOR NET. The technical specifications according to chapter 7 TECHNICAL DATA must be observed. Only operation according to the instructions in this operating manual is authorized.

Any other use is considered to be **unauthorized**. Unauthorized use invalidates any claims with regard to the guarantee.



CAUTION

Only connect and operate the sensor together with IQ SENSOR NET accessories.

Function and operational safety

2.2 General safety instructions

The sensor left the factory in a safe and secure technical condition.

The failure-free function and operational safety of the sensor is only guaranteed if the generally applicable safety measures and the special safety instructions in this operating manual are followed during its use.

The failure-free function and operational safety of the sensor is only guaranteed under the environmental conditions that are specified in chapter 7 TECHNICAL DATA.

The specified temperature (chapter 7 TECHNICAL DATA) must be maintained during the operation and transport of the sensor. Protect the sensor, particularly against frost or overheating.



CAUTION

The sensor may only be opened by specialists authorized by WTW. The only exceptions to this are the activities described in chapter 5 MAINTENANCE, CLEANING, REPLACEMENT PARTS.

Safe operation

If safe operation is no longer possible, the sensor must be taken out of operation and secured against inadvertent operation.

Safe operation is no longer possible if the sensor:

- has been damaged in transport
- has been stored under adverse conditions for a lengthy period of time
- is visibly damaged
- no longer operates as described in this manual.

If you are in any doubt, contact the supplier of your sensor.

Obligations of the operator

The operator of the sensor must ensure that the following rules and regulations are followed when dealing with hazardous substances:

- EC directives for protective labor legislation
- National protective labor legislation
- Safety regulations
- Safety data sheets of the chemical manufacturer.

3 Commissioning

3.1 Scope of delivery

- Sensor, consisting of sensor basis and sensor cap
- Operating manual.

3.2 IQ SENSOR NET system requirements

Software statuses of the controller and terminal components

The operation of the FDO[®] 70x IQ (SW) requires the following software versions in the IQ SENSOR NET:

- MIQ/C184 (XT) Controller software: Version 2.66 or higher
Terminal software: Version 2.66 or higher
- MIQ/MC Controller software: Version 2.66 or higher
- MIQ/T 2020 Terminal software: Version 2.66 or higher
(PLUS)
- IQ software pack Software version: 4.10 or higher



Note

Operation with the SC-FDO[®] 701 sensor cap requires software version 2.15 on the FDO[®] 70x IQ (SW).

3.3 Installation

Connection cable

A sensor connection cable of the SACIQ or SACIQ SW type is required to connect the sensor. The cable is available in different lengths. Compared to the standard model SACIQ, the SACIQ SW sensor connection cable is optimized regarding its corrosion resistance in seawater and brackish water and adapted for use in conjunction with the FDO 70x IQ SW. Information on this and other IQ SENSOR NET accessories is given in the WTW catalog and on the Internet.



Note

How to connect the SACIQ (SW) sensor connection cable to the terminal strip of an MIQ module is described in chapter 3 INSTALLATION of the IQ SENSOR NET system operating manual.

Are the plug connections dry?

Before connecting the sensor and sensor connection cable, please make sure the plug connections are dry. If moisture gets into the plug connections, first dry the plug connections (dab them dry or blow them dry using compressed air).



Note

Do not suspend the sensor on the sensor connection cable. Use a sensor holder or armature. Information on this and other IQ SENSOR NET accessories is given in the WTW catalog and on the Internet.

Connecting the sensor to the sensor connection cable

1	Take the protective caps off the plug connections of the sensor and the SACIQ (SW) sensor connection cable and keep them safe.
2	Plug the jack of the SACIQ (SW) sensor connection cable onto the plug head connector of the sensor. At the same time, rotate the socket so that the pin in the plug head connector (1) clicks into one of the two holes in the socket.
3	Then screw the coupling ring (2) of the sensor connection cable onto the sensor up to the stop.

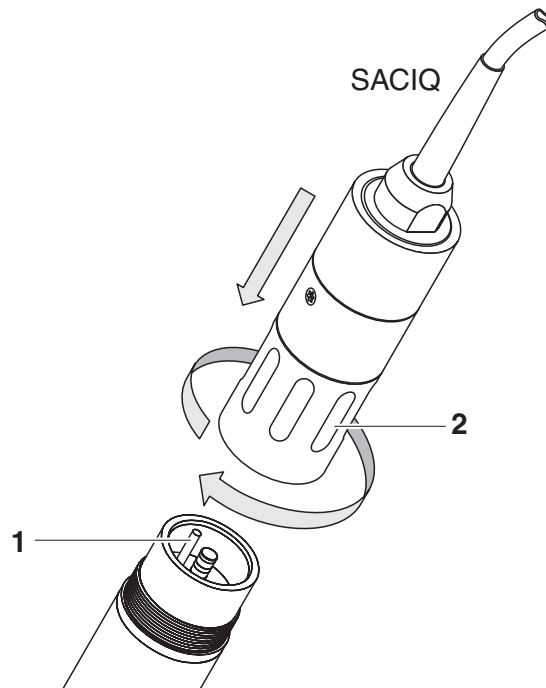


Fig. 3-1 Connecting the sensor

3.4 Commissioning / Getting the instrument ready for measuring

Identification in the IQ SENSOR NET

Both the sensor cap and sensor basis (sensor without cap) have a series number of their own. The sensor has to be equipped with a sensor cap for a successful login to the IQ SENSOR NET. The operable sensor is displayed as follows in the list of sensors:

- *Model:* Model designation of the sensor cap ("SC FDO 70x")
- *Ser. no.:* Series number of the sensor cap
- *Sensor name:* The series number of the sensor basis is preset here. You can change this entry as necessary by entering a user-defined name.

Commissioning steps

1	Pull the protective cap off the sensor.
2	If required, assign a user-defined name to the sensor (see relevant IQ SENSOR NET system operating manual).
3	When using IQ SENSOR NET without automatic air pressure compensation the mean air pressure value or the location altitude has to be entered (for more detailed information see the relevant IQ SENSOR NET system operating manual).
4	Set the sensor (see section 3.5).

3.5 FDO® 70x IQ (SW) setting table

Setting	Selection/values	Explanation
<i>Measuring mode</i>	<ul style="list-style-type: none"> ● <i>Concentration</i> ● <i>Saturation</i> 	Unit of the measured value on the measured value display.
<i>Measuring range Concentration</i>	<ul style="list-style-type: none"> ● <i>0 ... 20.00 mg/l</i> ● <i>0 ... 20.00 ppm</i> 	These measuring ranges are available for selection.
<i>Measuring range Saturation</i>	<ul style="list-style-type: none"> ● <i>0 ... 200.0 %</i> 	The measuring range is set permanently.
<i>Response time t90</i>	<ul style="list-style-type: none"> ● <i>150 .. 300 s</i> (with SC-FDO® 700) or ● <i>60 ... 300 s</i> (with SC-FDO® 701) 	<p>Response time of the signal filter. Depending on the sample matrix, the measured values may fluctuate more or less. A signal filter in the sensor reduces the fluctuation range of the measured value. The signal filter is characterized by the <i>Response time t90</i>. This is the time after which 90 % of a signal change is displayed.</p> <p>The setting range depends on the sensor cap type.</p>
<i>Calibration</i>	<ul style="list-style-type: none"> ● <i>Factory calibration</i> ● <i>User calibration</i> ● <i>active</i> ● <i>abort</i> 	<p>Determines which calibration data the measured value calculation will be based on. The active calibration is displayed in the calibration history.</p> <p>The selection, <i>User calibration</i> is only displayed if valid data of a <i>User calibration</i> is stored in the sensor.</p> <p><i>active</i> indicates that the sensor is being calibrated.</p> <p>If <i>abort</i> is selected, the active calibration is canceled the next time the setting table is quit with <i>Save and quit</i>.</p>
<i>Test</i>	<ul style="list-style-type: none"> ● <i>active</i> ● <i>abort</i> 	<p><i>active</i> indicates that the sensor is being checked.</p> <p>If <i>abort</i> is selected, the active check is canceled the next time the setting table is quit with <i>Save and quit</i>.</p>
<i>Temperaturmodus</i>	<ul style="list-style-type: none"> ● °C ● °F 	Unit of the measured temperature value (Celsius, Fahrenheit).

Setting	Selection/values	Explanation
<i>Temp. adjustment</i>	-1.5 K ... +1.5 K	The temperature compensation enables the temperature display to be balanced (shifting of the zero point by $\pm 1.5\text{K}$). Notes: <ul style="list-style-type: none"> ● Due to the thermal capacity of the sensor, it is necessary to place it in a container with at least 2 liters of water. ● Leave the sensor in this container for at least 15 minutes while stirring occasionally until the balancing can be performed. With temperature differences between the water and sensor $> 10\text{ }^\circ\text{C}$, leave the sensor for at least 1 hour in this container while stirring occasionally until the balancing can be performed.
<i>Salinity</i>	<ul style="list-style-type: none"> ● <i>On</i> ● <i>Off</i> 	Determines whether the entered salinity should be taken into account.
<i>Salinity input</i>	2.0 ... 70.0	The entry of the salinity enables a salt content correction that compensates for the effect of salt contents $> 0.1\%$ on the oxygen measurement. The salt content correction is recommended for measurements in salt-contaminated wastewater (salinity ≥ 2.0 corresponding to a conductivity of $\geq 3.4\text{ mS/cm}$ at a reference temperature $T_{\text{REF}} = 20\text{ }^\circ\text{C}$).
<i>Sensor cap data</i>	<ul style="list-style-type: none"> ● <i>Do not download</i> ● <i>Transmit to log book</i> 	Generates a log book message with all data stored in the sensor cap when the settings are quit with <i>Save and quit</i> (see section 1.2). When opening the menu again the setting is reset to <i>Do not download</i> .
<i>Save and quit</i>		The system confirms the saving of the settings and the display switches to the next higher level.
<i>Quit</i>		The display switches to the next higher level without saving the new settings.

Carrying out settings

Using $\text{\textcircled{S}}$, switch from the measured value display to the main menu of the settings. Then navigate to the setting menu (setting table) of the sensor. The exact procedure is given in the relevant IQ SENSOR NET system operating manual.

**Note**

For information on oxygen measurement in solutions containing salt, see WTW application report no. 1193118.

4 Measuring / Operation

4.1 Measuring



WARNING

Contact with the sample can be dangerous for the user! Depending on the type of sample, suitable protective measures must be taken (protective clothing, protective goggles, etc.).

Note the data given in section 7.2 APPLICATION CONDITIONS, especially the minimum immersion depth of the sensor (> 50 mm). The measured value is available immediately on submersing.



Note

If keeping the sensor clean is a problem, we recommend using the compressed air-driven cleaning system with the CH cleaning head (see section 5.5 REPLACEMENT PARTS AND ACCESSORIES).

4.2 Function check and user calibration

4.2.1 General information

Factory calibration

The FDO[®] 70x IQ (SW) is factory calibrated. In the recommended application (see section 1.3 RECOMMENDED FIELDS OF APPLICATION), the measuring characteristics of the sensor cap remain stable for the specified service life. Thus, a user calibration is not usually required.

When does a function check or user calibration make sense?

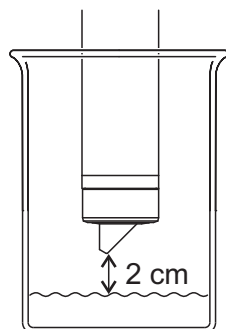
A function check or user calibration can be useful in the following special cases:

- If the measured values appear to be implausible and it is assumed that the service life of the sensor cap is over
- Routinely within the framework of the company quality assurance.

Check or calibration medium

Select one of the following two variants depending on the air temperature at the calibration site:

- With air temperatures over 5 °C, the function check and user calibration ideally take place in water vapor-saturated air. To do so, position the sensor approx. 2 cm above a water surface, for example in a narrow bucket or similar container with water. The membrane must be clean and dry for this.



- With air temperatures under 5 °C we recommend performing the function check and user calibration not in air but in air-saturated water that has a higher temperature. You obtain air-saturated water by pouring water several times in and out of two vessels so that it sparkles.

4.2.2 Function check

A function check is the simplest way to determine whether the sensor needs to be cleaned or user-calibrated.

Principle

The function check can either be done in water vapor-saturated air or in air-saturated water (see CHECK OR CALIBRATION MEDIUM on page 4-1).

Steps

Generally, a check on the IQ SENSOR NET is carried out as follows. System specific details are given in the respective IQ SENSOR NET system operating manual.

1	Switch to the measured value display with (M) and select the FDO® 70x IQ (SW) sensor.
2	Press (C) . The next step switches on the maintenance condition for the sensor. A corresponding message appears on the display.
3	Confirm the note with (OK) . The maintenance condition is active.
4	Select the <i>TEST</i> procedure and press (OK) .
5	Put the sensor into the calibration position (water vapor-saturated air or air-saturated water - see section 4.2.1).

6	Press OK . The sensor starts the check. The display switches to the measured value display. The <i>CAL</i> indicator flashes instead of the main measured value. At the same time, the momentary relative slope flashes as the secondary measured value with the addition of <i>TEST</i> . The process ends automatically as soon as the measured values meet the criterion for the stability control. With a great temperature difference between the sensor and the environment this may take a while. Subsequently, the main measured value and temperature are displayed.
7	Put the sensor in the measuring position again.
8	Wait for the measured value to be largely stable (temperature adjustment).
9	Switch off the maintenance condition.

Canceling the check

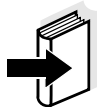
As long as the determination of the relative slope has not yet been started (step 6), you can quit the check with **M** or **ESC**.

The running determination of the relative slope (after pressing **OK** in step 6) can be aborted as follows:

1	Open the setting table (see section 3.5).
2	In the <i>Test</i> menu item, select the <i>abort</i> setting and then quit the setting table with <i>Save and quit</i> .

Evaluation

The result of the check is entered in the log book of the sensor. If the relative slope is outside the tolerance range (0.90 ... 1.10), the check is assessed as erroneous.



Note

The information recorded in the log book entry is partly identical with that of the calibration history. The calibration history is described in detail in section 4.2.4 CALIBRATION HISTORY.

4.2.3 User calibration

Principle

The user calibration can either be done in water vapor-saturated air or in air-saturated water (see CHECK OR CALIBRATION MEDIUM on page 4-1). With the calibration procedure, the relative slope of the sensor is determined. The calibration is evaluated based on the relative slope and the intensity (successful <-> unsuccessful).

The result of the user calibration is stored in the calibration record and calibration history respectively and can be viewed afterwards (see respective IQ SENSOR NET system operating manual).



Note

We want to point out that the factory calibration of the membrane is highly precise due to the IQMC technology. If you still want to carry out a user calibration, influences due to environmental conditions have to be taken into account.

Steps

Generally, a user calibration on the IQ SENSOR NET is carried out as follows. System specific details are given in the respective IQ SENSOR NET system operating manual.

1	Switch to the measured value display with (M) and select the FDO® 70x IQ (SW) sensor.
2	Press (C) . The next step switches on the maintenance condition for the sensor. A corresponding message appears on the display.
3	Confirm the note with (OK) . The maintenance condition is active.
4	Select the <i>CALIBRATION</i> procedure and press (OK) .
5	Put the sensor into the calibration position (water vapor-saturated air or air-saturated water - see section 4.2.1).
6	Press (OK) . The sensor determines the calibration data. The display switches to the measured value display. The <i>CAL</i> indicator flashes instead of the main measured value. At the same time, the momentary relative slope flashes as the secondary measured value. The process ends automatically as soon as the measured values meet the criterion for the stability control. With a great temperature difference between the sensor and the environment this may take a while. Subsequently, the main measured value and temperature are displayed.
7	If the user calibration was successful, bring the sensor into the measuring position again.

8	Wait for the measured value to be largely stable (temperature adjustment).
9	Switch off the maintenance condition.

Canceling the user calibration

As long as the determination of the calibration data has not yet been started (step 6), you can quit the calibration routine with **M** or **ESC**.

The running determination of calibration data (after pressing **OK** in step 6) can be aborted as follows:

1	Open the setting table (see section 3.5).
2	In the <i>Calibration</i> menu item, select the <i>abort</i> setting and then quit the setting table with <i>Save and quit</i> .

After the user calibration was canceled the sensor again works with the calibration data that was used before the canceled user calibration.

Possible results of the user calibration

The calibration data is evaluated by the system. A calibration can have the following results:

Display	Explanation
Measured value display	Sensor was successfully calibrated. The calibration data can be viewed in the calibration history (section 4.2.4).
"----"	The sensor could not be calibrated. The sensor is blocked for further measurement. Notes on possible causes are given in the log book of the sensor.

4.2.4 Calibration history

**Calibration history
(available in the
IQ SENSOR NET systems
184 XT and 2020 XT
only)**

HIQ/T2020		15 Dec 2006 00:13		[Icons]	
Calibration history of selected sensor					330
S01 SC FDO 700		03270001			
Date	Rel.slope	Intens.	Res		

Factory	1.00	+	o.k.		

15.12.2006	0.77	+	Error		
04.11.2006	0.96	+	o.k.		

Range of tolerance 0.90 .. 1.10					
Return ESC					

← Currently active calibration

← Chronological list of the last user calibrations

Fig. 4-1 Calibration history FDO® 70x IQ (SW)

The calibration history contains the following information:

Date	Calibration date (<i>Factory</i> = factory calibration)
Rel.slope	Relative slope (non-dimensional)
Intens.	Intensity: + : sufficient - : too low
Res	Evaluation of the calibration <i>o.k.</i> : Calibration successful. The new calibration data was taken over for measurement. <i>Error</i> : Calibration unsuccessful. Invalid calibration data were discarded. Measurement was continued with the last valid values.



Note

The calibration history is stored in the sensor basis. If another sensor cap (with different series number) is mounted, the calibration history is deleted and cannot be restored afterwards.

4.2.5 Reactivating previous calibration data

The FDO[®] 70x IQ (SW) enables you to reactivate the last valid user calibration or the factory calibration. Thus you can immediately go on measuring if a calibration procedure failed or you suspect that the calibration conditions were not optimally met.



Note

Reactivating old calibration data is only a temporary solution. Please take into account that the sensor might thus possibly provide incorrect measured values. Please make sure the sensor works correctly by carrying out a function check and/or recalibration.

Reactivating calibration data

1	Open the setting table (see section 3.5).
2	In the <i>Calibration</i> menu item, select the <i>User calibration</i> or <i>Factory calibration</i> setting and then quit the setting table with <i>Save and quit</i> .

5 Maintenance, cleaning, replacement parts

5.1 General maintenance instructions



Maintenance condition

WARNING

Contact with the sample can be dangerous for the user! Depending on the type of sample, suitable protective measures must be taken (protective clothing, protective goggles, etc.).

We recommend to switch on the maintenance condition each time the sensor is taken out of the measuring position. This avoids unwanted reactions of linked outputs. For more detailed information on the maintenance condition please refer to the respective IQ SENSOR NET system operating manual.



Note

We do not recommend unscrewing the sensor from the sensor connection cable in order to do maintenance work. Otherwise, moisture and/or dirt can get into the plug connection where it can cause contact problems.

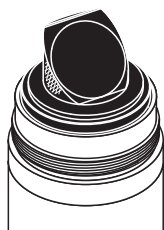
If you would like to disconnect the sensor from the sensor connection cable, please note the following points:

- Before disconnecting the sensor from the SACIQ (SW) sensor connection cable, the sensor has to be cleaned on the outside (see section 5.4.1).
- Unscrew the sensor from the SACIQ (SW) sensor connection cable.
- Place a protective cap on the sensor plug head connector and on the SACIQ (SW) sensor connection cable each time so that no moisture or dirt can get on the contacting surfaces.
- In corrosive environments, close the socket of the sensor connection cable with the screwable SACIQ-Plug when it is dry in order to protect the electrical contacts from corrosion. The protective plug is available as an accessory (see section 5.5 REPLACEMENT PARTS AND ACCESSORIES). It is included in the standard scope of delivery of the SACIQ SW sensor connection cable.

5.2 Handling of the sensor cap

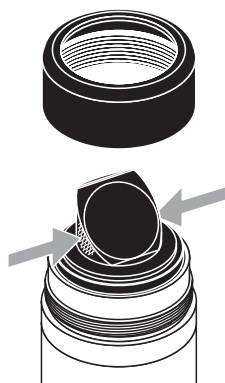
Despite its exterior robustness, the sensor is an optical high precision instrument. Therefore, special care should be taken when doing any maintenance or cleaning work:

- Dirt and moisture under the sensor cap can affect the functioning and shorten the service life of the sensor cap. Therefore, make sure the working environment is clean and dry prior to removing the sensor cap.
- Please do not touch the outer sensor membrane with your fingers. Touch the sensor cap at the sides only (shaded area in figure on the left).
- Avoid any great mechanical stress of the sensor membrane (pressure, scratches).
- Exposure to light, particularly daylight of the interior of the sensor cap will, by-and-by, affect the measurement characteristics and shorten the service life of the sensor cap. Therefore, the interior of the sensor cap should not be exposed to direct sunlight. Avoid any exposure to light that exceeds the extent required for necessary maintenance and cleaning activities. Store dismantled sensor caps in a light-protected environment only.



5.3 Exchanging the sensor cap

Removing the sensor cap

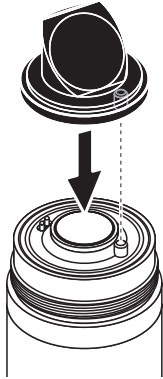


1	Pull the sensor out of the sample.
2	Clean the outside of the sensor (see section 5.4.1).
3	Unscrew the fixing ring from the sensor by hand.
4	Thoroughly clean and dry the sensor head once again.
5	Grasp the sensor cap on the sides (arrows in figure on the left) and remove it by pulling it away from the sensor in a <u>straight</u> upward direction.



Caution

Do not push any tools or other sharp objects between the sealing surfaces. This might damage the sealing surfaces.

Mounting the sensor cap

6	Check the front surface of the sensor for absolute cleanness and clean it if necessary (see section 5.4.1).
7	Thoroughly clean the thread of the fixing ring.
8	Place the new sensor cap on the sensor so that the temperature sensor fits into the hole inside the sensor cap (see figure opposite).
9	Put the fixing ring on the sensor head and screw it tight by hand.

5.4 Cleaning the sensor**5.4.1 Exterior cleaning**

Dirt on the sensor can affect the measuring characteristics. Biological deposits for example, consume oxygen and can, when occurring on the sensor cap membrane, impair the responding behavior and cause values that are too low. Therefore, we recommend regular visual inspections and exterior cleaning as necessary.

Pay attention to the following points for cleaning:

- First, thoroughly rinse the sensor with tapwater to remove loosely adhering dirt.
- Rough dirt on the sensor shaft can be brushed off with a soft brush. Attention: Do not use the brush in the area of the sensor membrane. Risk of damage!
- The sensor cap including the sensor membrane should be wiped with a soft and moist microfiber cloth.
- In the case of persisting dirt you can add some household washing-up liquid to the tapwater. Attention: Never use any alcohol for cleaning!
- If there are any salt or lime deposits, the sensor can be cleaned with aqueous citric acid solution (10 % weight percent).

5.4.2 Interior cleaning of sensor cap and sensor head

If moisture or dirt have penetrated under the sensor cap, e.g. because the sensor cap is damaged, you can make the sensor ready for operation again as follows:



Caution

Only use **nonabrasive, alcohol-free** detergents, as otherwise the optical surfaces could be damaged.

1	Remove the sensor cap (see section 5.3).
2	Clean the sensor head and sensor cap: <ul style="list-style-type: none">– Rinse all inner surfaces with tapwater– Remove contamination containing fat and oil with warm water and household washing-up liquid
3	Dry all surfaces with a clean, lint free cloth. A lint-free cloth such as a microfiber cloth used to clean eyeglasses is suitable.
4	Allow the sensor and sensor cap to dry completely at a dry location so moisture can evaporate even from corners difficult to access. When doing, so protect the inside of the sensor cap from light.



Note

If the sensor cap is visibly damaged it has to be replaced.

5.5 Replacement parts and accessories

Description	Model	Order no.
Sensor cap	SC-FDO® 700	201 654
Sensor cap	SC-FDO® 701	201 655
Protective screw cap for sensor connection cable	SACIQ-Plug	480 065
Protective hood against damage caused by fish, with connection for the MSK FDO® CS cleaning set	MSK FDO®	205 253
Cleaning set for connection of the protective hood MSK FDO® to a valve module or Cleaning Air Box	MSK FDO® CS	205 254

Components for compressed air cleaning system

Description	Model	Order no.
Cleaning head	CH	900 107
Active valve module (does not require a free relay output in the IQ SENSOR NET system)	MIQ/CHV PLUS	480 018
Valve module for the IQ SENSOR NET system 182 (external relay and compressed air supply)	DIQ/CHV	472 007
Air compressor to be triggered by relay, power supply 115 V AC	Cleaning Air Box - 115 VAC	480 017
Air compressor to be triggered by relay, power supply 230 V AC	Cleaning Air Box - 230 VAC	480 019



Note

Information on further IQ SENSOR NET accessories is given in the WTW catalog and on the Internet.

6 What to do if...

Sensor does not appear in the measured value display and list of sensors

Cause	Remedy
<ul style="list-style-type: none"> – Sensor cap not mounted or defective 	<ul style="list-style-type: none"> – Sensor cap (see section 5.3) – Replace a defective sensor cap as necessary

Measured value implausible

Cause	Remedy
<ul style="list-style-type: none"> – Coating on sensor cap 	<ul style="list-style-type: none"> – Clean the outside of the sensor (see section 5.4.1)
<ul style="list-style-type: none"> – Service life of the sensor cap over 	<ul style="list-style-type: none"> – Check the sensor (see section 4.2.2) – Replace the sensor cap as necessary (see section 5.3)
<ul style="list-style-type: none"> – Dirt inside the sensor cap and sensor head. – Fixing ring not properly tightened. – Sensor cap untight or defective. 	<ul style="list-style-type: none"> – Dismantle sensor cap – Clean the insides of the sensor cap and sensor head (see section 5.4.2) – Mount the sensor cap correctly and tighten the fixing ring as far as it will go (see section 5.3) – Replace a defective sensor cap as necessary

Measured value fluctuating heavily

Cause	Remedy
<ul style="list-style-type: none"> – Coating on sensor cap 	<ul style="list-style-type: none"> – Clean the outside of the sensor (see section 5.4.1)
<ul style="list-style-type: none"> – Service life of the sensor cap over 	<ul style="list-style-type: none"> – See point "Measured value implausible"
<ul style="list-style-type: none"> – Dirt inside the sensor cap and sensor head. – Fixing ring not properly tightened. – Sensor cap untight or defective. 	<ul style="list-style-type: none"> – See point "Measured value implausible"

**Measured value invalid
("----" displayed)****Cause**

- User calibration unsuccessful. The sensor is blocked for measurement.

Remedy

- As a temporary measure to quickly restore the readiness for service: Activate the factory calibration (see section 4.2.5)
- For exact measurements, carry out a function check and repeat the user calibration if necessary.

**Incorrect temperature
display****Cause**

- Temperature sensor defective

Remedy

- Return the sensor

7 Technical data

7.1 General measurement characteristics



Note

The measurement characteristics are primarily determined by the sensor cap type. The relevant data are given in the sections 7.5 and 7.6.

Measuring principle

Optical measurement based on photoluminescence.

Measurement in water

According to solubility function according to ISO 5814

Measurement in salt-contaminated wastewater

Salinity input from 2.0 ... 70.0; corresponds to 3.4 mS/cm ... 86.2 mS/cm at T_{REF} 20 °C (salinity measurement according to IOT = International Oceanographic Tables)

Temperature measurement

Temperature sensor	Integrated NTC
Measuring range	- 5 °C ... + 50 °C (23 ... 122 °F)
Accuracy	± 0.5 K
Resolution	0.1 K

Temperature compensation

In the range -5 °C ... + 50 °C (23 ... 122 °F)

7.2 Application conditions

Pressure resistance

Sensor with connected SACIQ (SW) sensor connection cable:

Max. allowed overpressure	10 ⁶ Pa (10 bar)
---------------------------	-----------------------------

The sensor meets all requirements according to article 3(3) of 97/23/EC ("pressure equipment directive").

Type of protection

Sensor with connected SACIQ (SW) sensor connection cable:
IP 68, 10 bar (10⁶ Pa)

Immersion depth

Min. 10 cm; max. 100 m depth

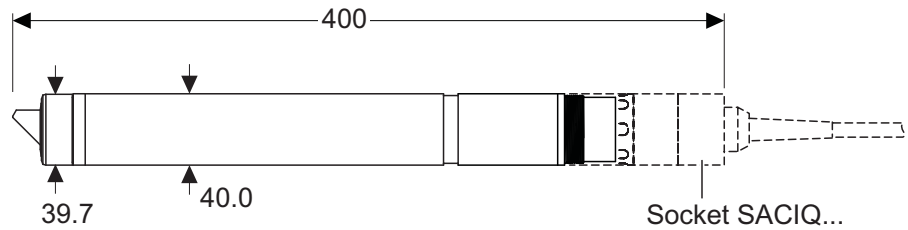
Operating position

Any

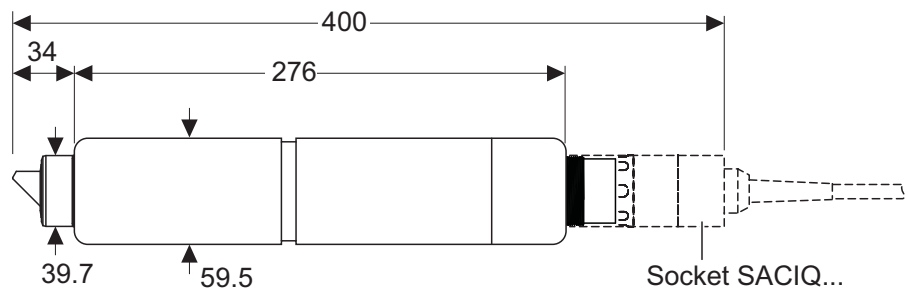
7.3 General data

Dimensions

FDO 70x IQ:



FDO 70x IQ SW:



Weight (without sensor connection cable)

FDO® 70x IQ	Approx. 900 g
FDO® 70x IQ SW	Approx. 1500 g

Connection technique

Connection via SACIQ (SW) sensor connection cable

Material

Shaft:	
– FDO® 70x IQ	V4A stainless steel 1.4571 *
– FDO® 70x IQ SW	POM
Plug head connector housing	POM
Sensor head	POM and PVC
Sensor cap	See section 7.5 or section 7.6
Plug, 3-pole	ETFE (blue) Tefzel®
Fixing ring	POM
Protective hood (FDO® 70x IQ SW)	POM

* Stainless steel can be corrodible if there are chloride concentrations of 500 mg/L or more. For applications in such media we recommend to use the SW sensors.

Automatic sensor monitoring (SensCheck function) Monitoring of the membrane function

Instrument safety Applicable norms

– EN 61010-1
– UL 3111-1
– CAN/CSA C22.2 No. 1010.1

7.4 Electrical data

Nominal voltage	Max. 24VDC via the IQ SENSOR NET (for more details, see chapter TECHNICAL DATA of the IQ SENSOR NET system operating manual)
Power consumption	0.7 W
Protective class	III

7.5 Technical data of the SC-FDO® 700

Measuring ranges and resolutions

D. O. partial pressure 0 ... 400 hPa

Measuring mode	Adjustable measuring range	Resolution
D. O. concentration	0 ... 20.00 mg/L 0 ... 20.00 ppm	0.01 mg/L 0.01 ppm
D. O. saturation	0 ... 200.0 %	0.1 %

Measurement accuracy

In the range	Accuracy
< 1 mg/L (ppm)	± 0.05 mg/L (ppm)
> 1 mg/L (ppm)	± 0.1 mg/L (ppm)

Repeatability

± 0.05 mg/L (ppm) according to EN ISO 15839

Response time

t₉₀ (90 % of the final display value after) < 150 s according to EN ISO 15839
t₉₅ (95 % of the final display value after) < 200 s according to EN ISO 15839

Minimum approach flow

No incident flow required

Interferences

Non-sensitive to against hydrogen sulfide, chlorine, and ionogenic substances

Allowed temperature range

Measuring medium	-5 °C ... + 50 °C (23 ... 122 °F)
Storage/transport	- 25 °C ... + 50 °C (-33 ... 122 °F)

Allowed pH range of the test sample

4 ... 12

Calibration procedure

Factory calibration by means of IQMC (Intelligent Membrane Calibration) procedure. User calibration possible in water vapor-saturated air or air-saturated water.

Material

PMMA, PVC and silicone

Working life

2 years guaranteed with authorized use

7.6 Technical data of the SC-FDO® 701

Measuring ranges and resolutions

D. O. partial pressure 0 ... 400 hPa

Measuring mode	Adjustable measuring range	Resolution
D. O. concentration	0 ... 20.00 mg/L 0 ... 20.00 ppm	0.01 mg/L 0.01 ppm
D. O. saturation	0 ... 200.0 %	0.1 %

Measurement accuracy

In the range	Accuracy
< 1 mg/L (ppm)	± 0.05 mg/L (ppm)
> 1 mg/L (ppm)	± 0.1 mg/L (ppm)

Repeatability

± 0.05 mg/L (ppm) according to EN ISO 15839

Response time

t_{90} (90 % of the final display value after) < 60 s according to EN ISO 15839
 t_{95} (95 % of the final display value after) < 80 s according to EN ISO 15839

Minimum approach flow

No incident flow required

Interferences

Non-sensitive to against hydrogen sulfide, chlorine, and ionogenic substances

Allowed temperature range

Measuring medium	-5 °C ... + 40 °C (23 ... 104 °F)
Storage/transport	- 25 °C ... + 40 °C (-33 ... 104 °F)

Allowed pH range of the test sample

4 ... 12

Calibration procedure

Factory calibration by means of IQMC (Intelligent Membrane Calibration) procedure. User calibration possible in water vapor-saturated air or air-saturated water.

Material

PMMA, PVC and silicone

Working life

6 months guaranteed for authorized use under the specified environmental conditions

8 Indexes

8.1 Explanation of the messages

This chapter contains a list of all the message codes and related message texts that can occur in the log book of the IQ SENSOR NET system for the FDO[®] 70x IQ (SW) sensor.



Note

Information on the contents and structure of the log book, and how to call it up, is given in the LOG BOOK chapter of the IQ SENSOR NET system operating manual.



Note

The last three digits of the message code identify the source of the message:

- 334 = SC FDO 700 (sensor cap SC-FDO[®] 700)
- 335 = SC FDO 701 (sensor cap SC-FDO[®] 701)
- 531 = FDO700IQ (sensor basis / component class, adapter ADA)

8.1.1 Error messages

Message code	Message text
EA133x	<i>Meas. range exceeded or undercut</i> * Check process * Select other meas. range
EA233x	<i>Sensor temperature too high!</i> * Check process and application
EA333x	<i>Sensor temperature too low!</i> * Check process and application
EAP33x	<i>Measurement interfered</i> * SensCheck: Sensor cap is missing, leaky, depleted, or defective * Clean sensor and space between cap and sensor according to op.instructions * Screw on sensor cap securely * Replace sensor cap
EAP531	<i>Measurement interfered</i> * SensCheck: Sensor cap is missing, leaky, depleted, or defective * Clean sensor and space between cap and sensor according to op.instructions * Screw on sensor cap securely * Replace sensor cap

Message code	Message text
EC833x	<i>Sensor could not be calibrated, sensor blocked for measurement Cause: instable signal * Check temperature adjustment * Check calibration conditions (see operating manual) * Repeat calibration</i>
EC933x	<i>Calibration error, measurement disabled Cause: Sensor cap is missing, leaky, depleted, or defective * Clean sensor and space between cap and sensor according to op.instructions * Screw on sensor cap securely * Repeat calibration * Replace sensor cap</i>
EI133x	<i>Operational voltage too low * Check installation and cable lengths, Follow installation instructions * Power unit(s) overloaded, add power unit(s) * Check terminal and module connections * Defective components, replace components</i>
EI233x	<i>Operational voltage too low, no operation possible * Check installation and cable lengths, Follow installation instructions * Power unit(s) overloaded, add power unit(s) * Check terminal and module connections * Defective components, replace components</i>
ES133x	<i>Component hardware defective * Contact WTW</i>

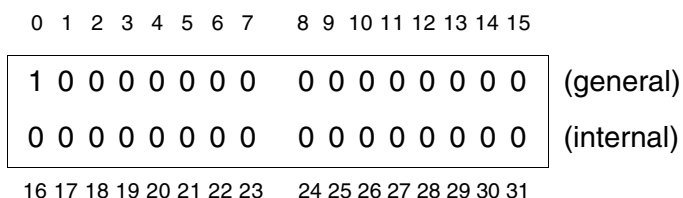
8.1.2 Info messages

Message code	Message text
IC133x	<i>Sensor has been successfully calibrated</i> <i>* For calibration data, see calibration history</i>
IC333x	<i>Factory calibration has been activated. Make sure the sensor operates correctly.</i>
IC433x	<i>Last valid user calibration has been activated. Make sure the sensor operates correctly.</i>
IC533x	<i>Invalid user calibration has been replaced by last valid user calibration. Caution! Wrong measured values possible. Carry out a new successful user calibration to make sure the sensor operates correctly.</i>
IC633x	<i>The invalid user calibration was replaced by the factory calibration. Caution! Wrong measured values possible. Check whether the sensor operates correctly or carry out a new successful user calibration user calibration.</i>
IC733x	This message displays the result of the last check (see section 4.2.2)
IS133x	This message displays the information stored in the sensor cap (see section 1.2)

8.2 Status info

The status info is a coded piece of information on the current status of a sensor. Each sensor sends this status info to the controller. The status info of sensors consists of 32 bits, each of which can have the value 0 or 1.

Status info, general structure



The bits 0 - 15 are reserved for general information.
 The bits 16 - 21 are reserved for internal service information.

You obtain the status info:

- via a manual query in the *Einstellungen/Settings/Service/List of all components* menu (see system operating manual)
- by an automated query
 - from a superordinate process control (e. g. when connected to the Profibus)
 - from the IQ Data Server (see IQ SENSOR NET Software Pack operating manual)



Note

The evaluation of the status info, e.g. in the case of an automated query, has to be made individually for each bit.

FDO® 70x IQ (SW)

Status info

Status bit	Explanation
Bit 0	<i>Component hardware defective</i>
Bit 1	<i>Sensor cap missing, untight, depleted or defective</i>
Bit 2-31	-



Wissenschaftlich-Technische Werkstätten GmbH

Dr.-Karl-Slevogt-Straße 1
D-82362 Weilheim

Germany

Tel: +49 (0) 881 183-0
+49 (0) 881 183-100
Fax: +49 (0) 881 183-420
E-Mail: Info@WTW.com
Internet: <http://www.WTW.com>