

# EchoFlo

2.5m / 1.25m



## Reliable, non-contact depth measurement

- Compact design for flexible mounting options
- Patented DSP ultrasonic measurement
- Minimal deadband and narrow beam width
- Corrosion resistant and water proof enclosure
- Easy configuration

Innovative and  
economical  
ultrasonic depth  
measurement  
solution



[www.macemeters.com](http://www.macemeters.com)

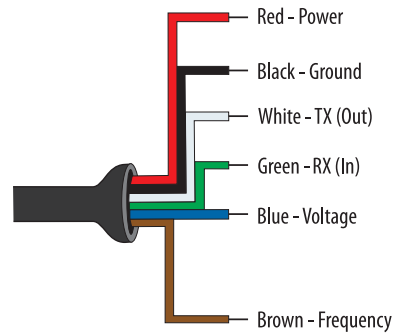
**mace** 

Water Monitoring Solutions

## EchoFlo Specifications

Model/Part#	1.25m (850-341)	2.5m (850-343)
Range:	1.25m (49.2")	2.5m (98.4")
Accuracy:	+/- 0.24% Range	+/- 0.2% Range
Resolution:	0.5mm (0.019")	0.5mm (0.019")
Beam width:	5cm (2")	5cm (2")
Dead band:	5cm (2")	10cm (4")
Supply voltage:	12-24 VDC	
Consumption:	0.5W	
Signal output:	0 - 5 V, 0 - 10 V, 976 - 2000 Hz	
Frequency:	Sink current = 15 mA nominal	
Fail-safety:	Full, empty, hold last	
Configuration:	EchoCal Software, USB 2.0	
Temp. comp.:	Automatic over range	
Process temp.:	C: -7° to 60° (F: 20° to 140°)	
Ambient temp.:	C: -35° to 60° (F: -31° to 140°)	
Pressure:	MWP = 206.8 kPa (30 PSI)	
Enclosure:	IP67 (Type 6P) encapsulated, corrosion resistant & submersible	
Encl. material:	Polycarbonate	
Strain relief mat.:	Santoprene	
Trans. material:	PVDF	
Cable length:	1.2 m (48")	
Cable jacket mat.:	Polyurethane	
Process mount:	1" NPT	
Mount. gasket:	Viton®	
Classification:	General purpose	
Approvals:	CE, cFMus	

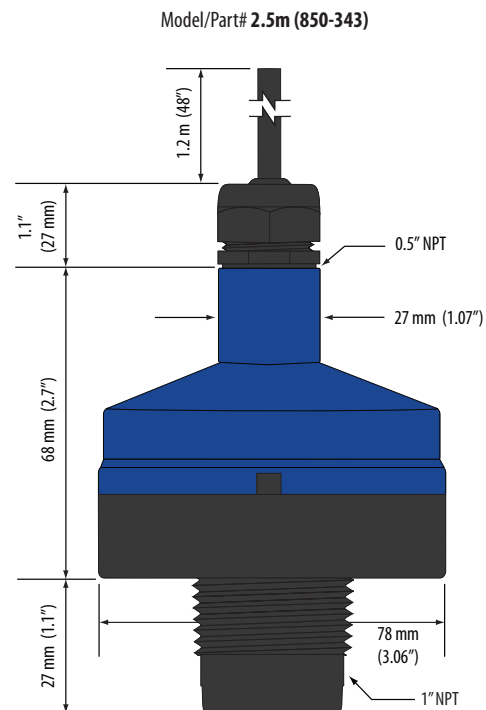
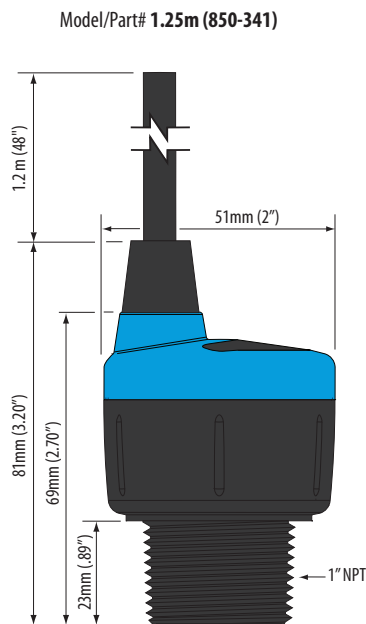
## Wiring Diagram



## Safety

1. Installation should be undertaken by properly trained staff
2. Supply voltage should NEVER exceed a maximum of 24 VDC
3. Make sure the sensor is chemically compatible with your application
4. Design a fail-safe system that accommodates the possibility of sensor and/or power failure.
5. This sensor should not be used in classified hazardous environments

## Dimensions



**NOTE TO END USERS:** THESE SPECIFICATIONS ARE SUBJECT TO CHANGE AT ANY TIME WITHOUT NOTICE. MACE TAKES NO RESPONSIBILITY FOR THE USE OF THESE FIGURES. PLEASE CONSULT MACE FOR THE LATEST SPECIFICATIONS BEFORE USING THEM IN TENDER SUBMISSIONS OR THIRD PARTY QUOTES ETC. MACE RESERVES THE RIGHT TO CHANGE SPECIFICATIONS WITHOUT PRIOR WARNING. ALL QUOTED FIGURES ARE BASED ON TEST CONDITIONS AND ARE SUBJECT TO VARIATION DUE TO SITE CONDITIONS.

Part No. 825-321 Rev. 1.1

## Measuring & Control Equipment (MACE) Pty Ltd

P.O. Box 911, Pennant Hills  
NSW 1715, Australia  
Ph: (02) 9658 1234

Fax: (02) 9651 7989  
Email: sales@macemeters.com  
www.macemeters.com

**mace**  
Water Monitoring Solutions