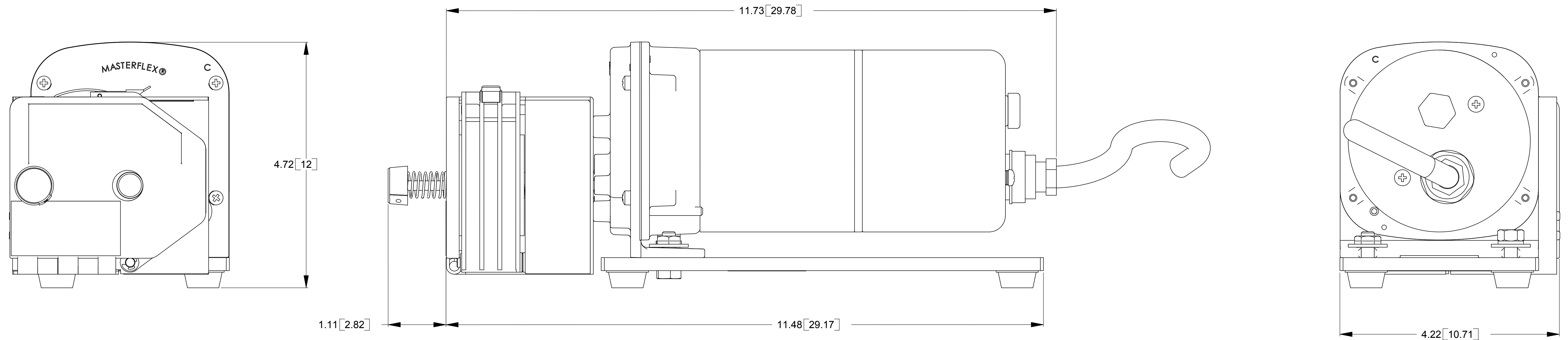
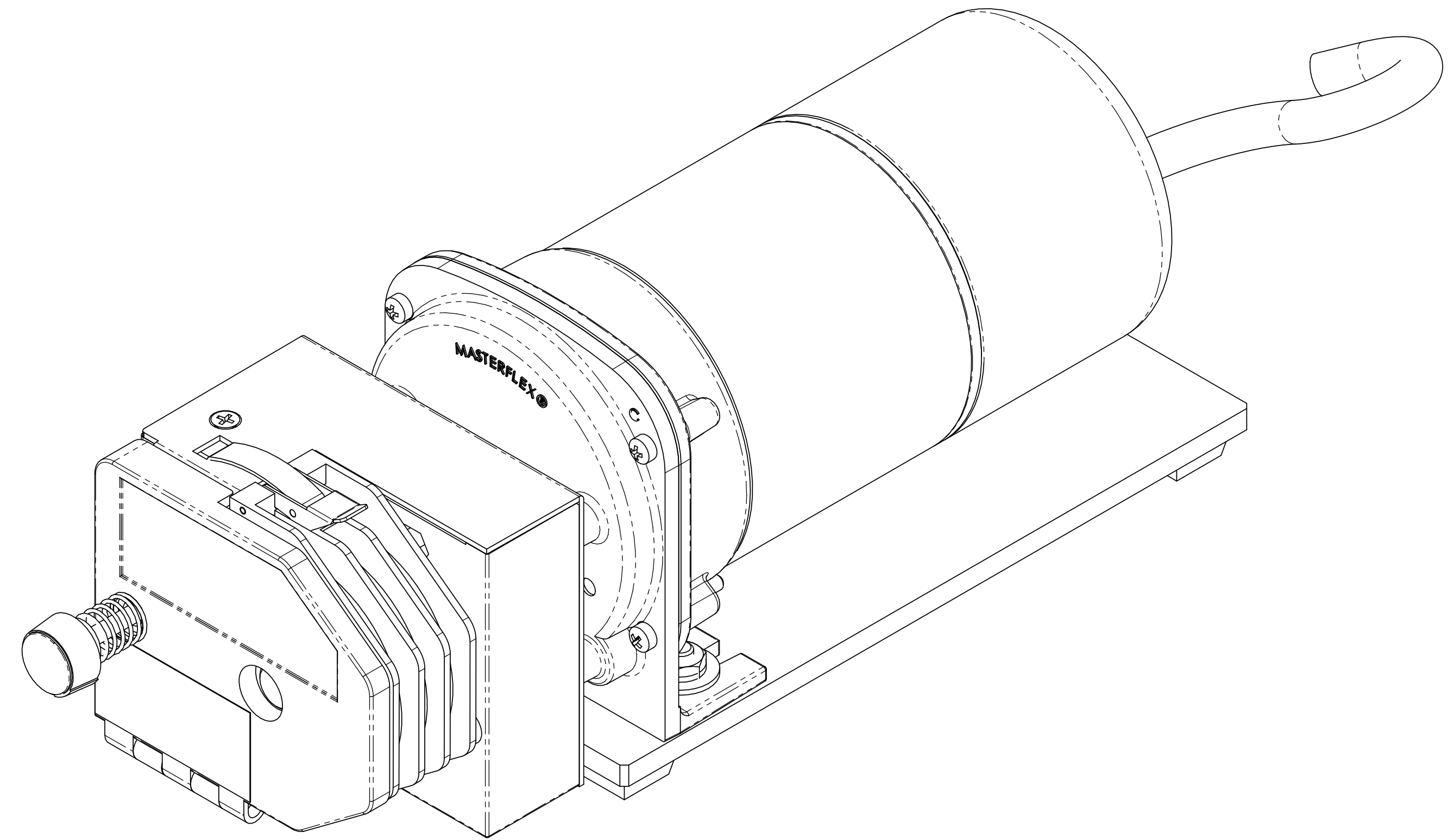


MODEL NUMBER:
975-3500



- NOTES:
1. ALL DIMENSIONS IN INCHES [CM]
 2. ALL DIMENSIONS APPROXIMATE

REV	DESCRIPTION	ECN/PRM	DATE	REV	DESCRIPTION	ECN/PRM	DATE	PART No.	PROCESS/FINISH/ MODEL No.	DO NOT SCALE DRAWING	D SHEET 1 of 1	DRAWING NUMBER: 108310
A	RELEASE FOR PRODUCTION	14595	04/07/06									

THE INFORMATION CONTAINED IN THIS DRAWING IS THE SOLE PROPERTY OF THE BARNANT COMPANY. ANY REPRODUCTION IN PART OR WHOLE WITHOUT THE WRITTEN PERMISSION OF THE BARNANT COMPANY IS PROHIBITED.

DATE DRAWN: 6-3-05
 DRAWN BY: W. SCHIMPF
 CHECKED BY: JJS
 APPROVED BY: GJ

SCALE: 1:1

PART NAME: OUTLINE, DRAWING 975-3500

UNLESS OTHERWISE SPECIFIED:
 DIMENSIONS ARE IN INCHES
 TOLERANCES ARE:
 .XX ±.01
 .XXX ±.005
 ANGLES
 MACHINED PARTS TO BE 12ERMS

Barnant
 Barnant Company, 28W092 Commercial Avenue
 Barrington, Illinois 60010-2392 (847)-381-7050

CERTIFICATION OF CONFORMITY/ COMPLIANCE REQUIRED MATERIAL FINISH SOURCE CONTROLLED