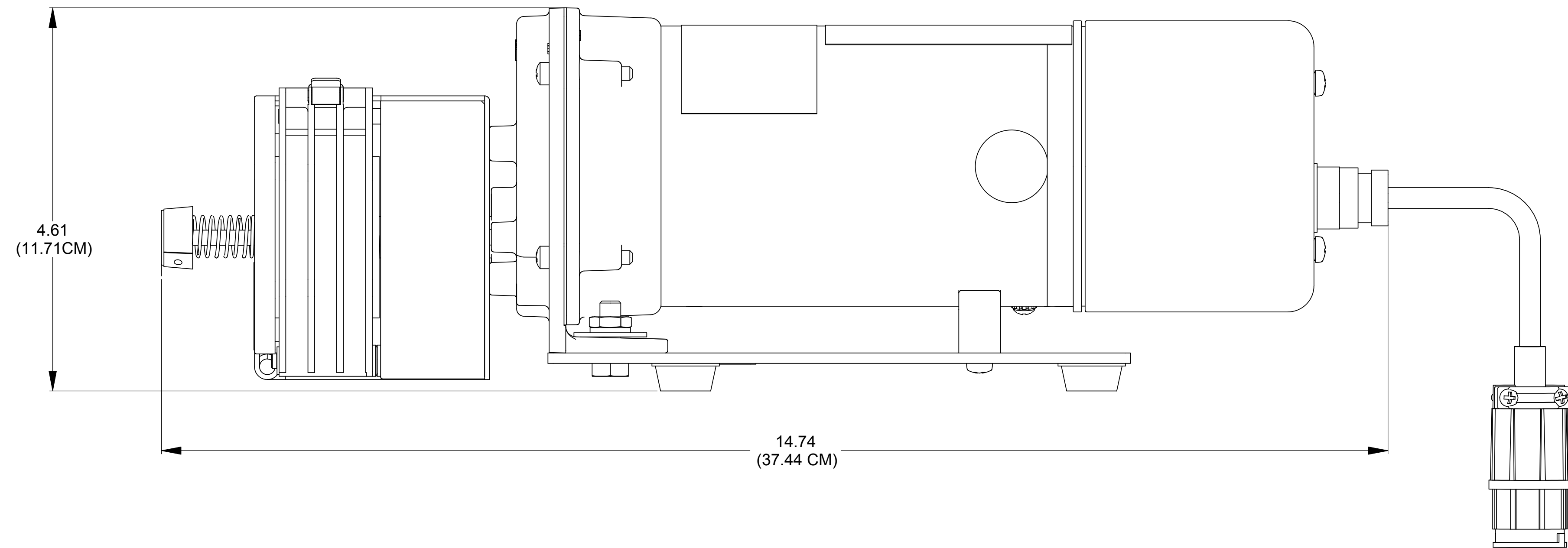
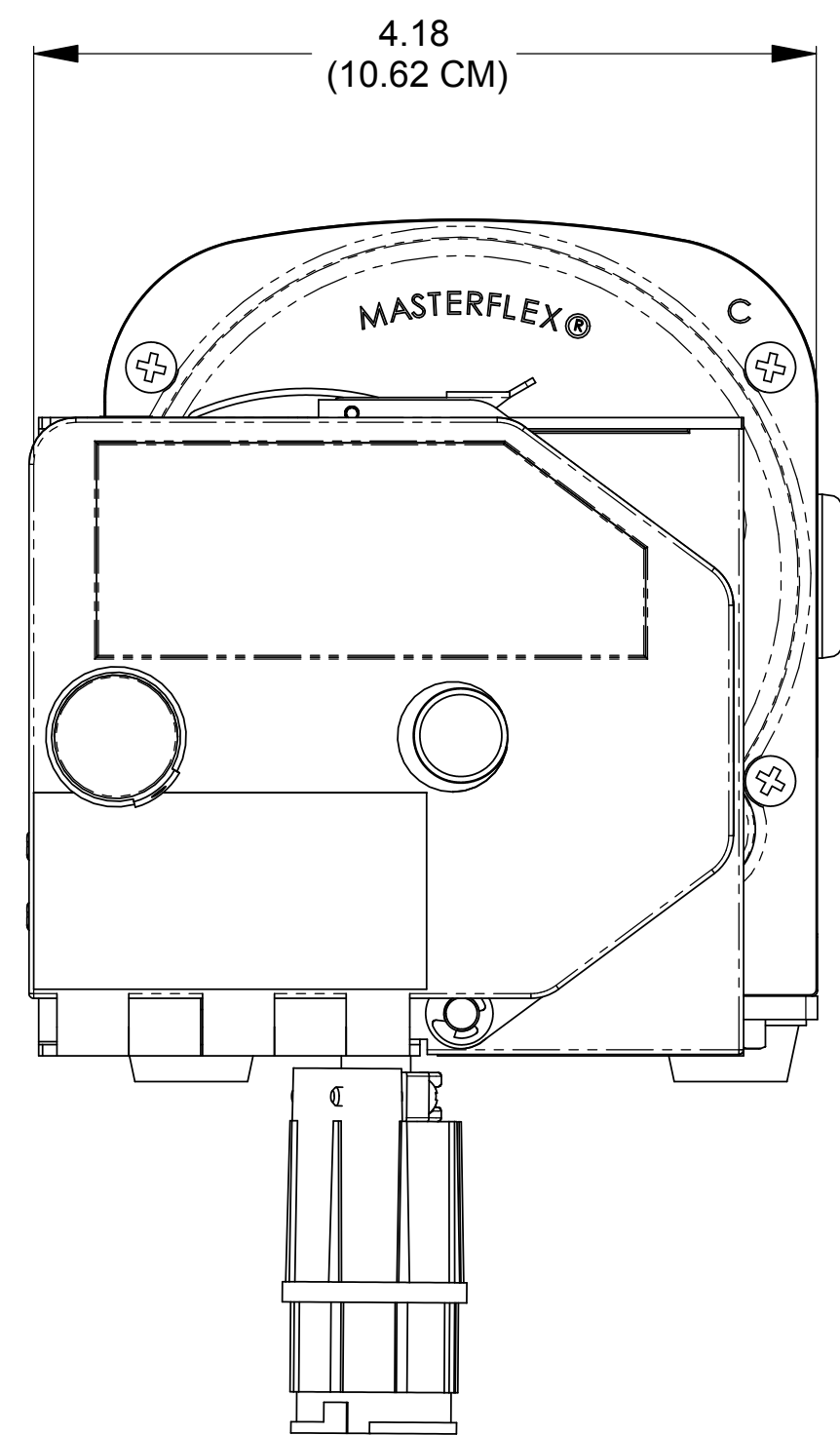
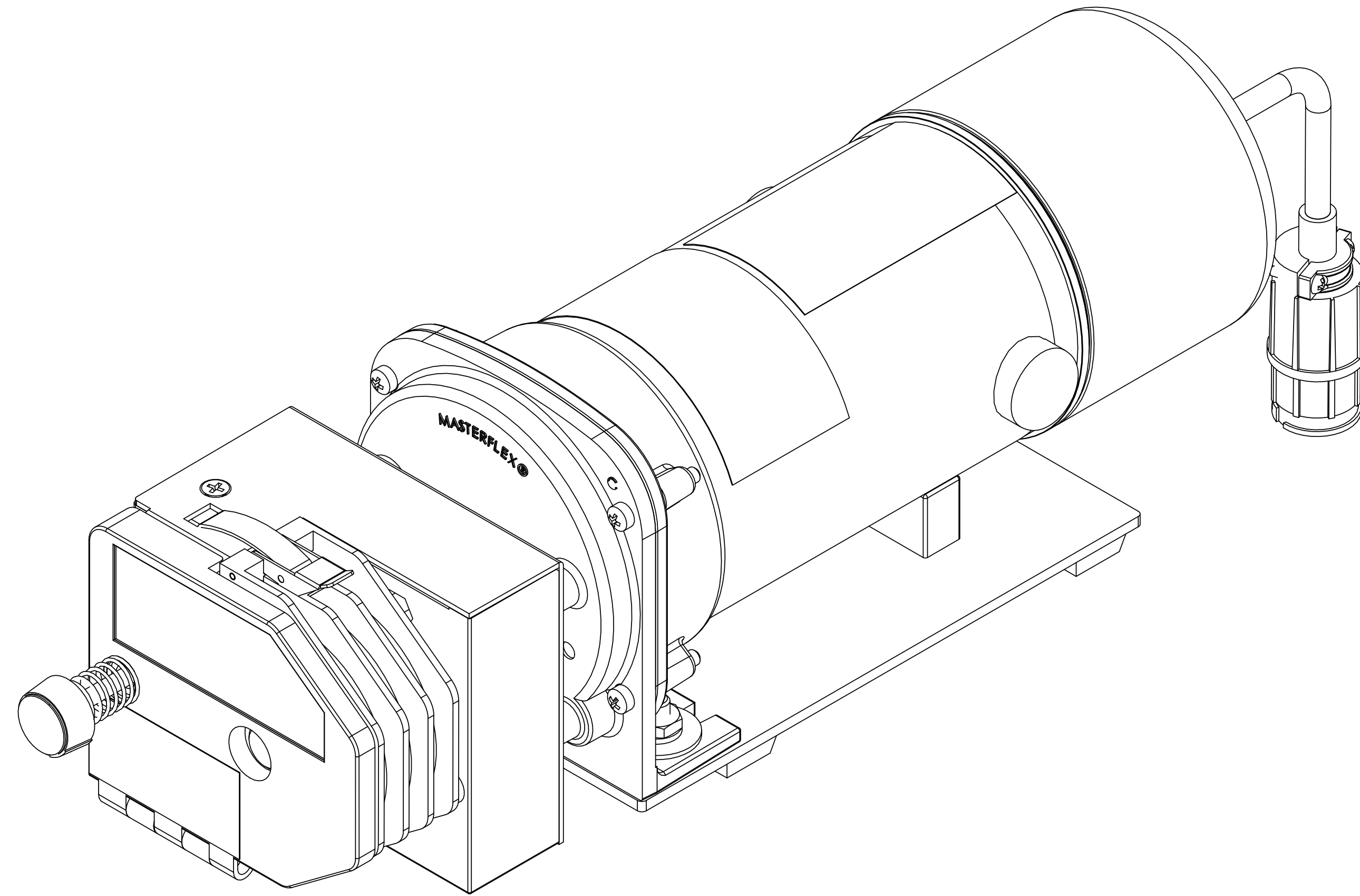


V.A.R. MODEL NUMBERS

965-1010  
965-1015



2. ALL DIMENSIONS ARE IN INCHES (CM)  
1. ALL DIMENSIONS ARE APPROXIMATE

NOTE:

								<p>THE INFORMATION CONTAINED IN THIS DRAWING IS THE SOLE PROPERTY OF THE BARNANT COMPANY. ANY REPRODUCTION IN PART OR WHOLE WITHOUT THE WRITTEN PERMISSION OF THE BARNANT COMPANY IS PROHIBITED.</p> <p>DATE DRAWN: 07/13/05</p> <p>DRAWN BY: JDM</p> <p>CHECKED BY: NA</p> <p>APPROVED BY: GJ</p> <p>SCALE: 1:1</p> <p>DO NOT SCALE DRAWING</p>				<p><b>Barnant</b> Barnant Company, 28W092 Commercial Avenue Barrington, Illinois 60010-2392 (847)-381-7050</p> <p>MATERIAL: <input type="checkbox"/> MATERIAL <input type="checkbox"/> FINISH <input type="checkbox"/> SOURCE CONTROLLED</p> <p>PART NAME: <b>OUTLINE, DWG LS DRV/Hi CAP PMP</b></p> <p>D SHEET 1 of 1 DRAWING NUMBER: <b>108318</b></p>			
REV	DESCRIPTION	ECN/PRM	DATE	REV	DESCRIPTION	ECN/PRM	DATE	PART No.	PROCESS/FINISH/ MODEL No.						
A	RELEASED FOR PRODUCTION	14595	04/10/06												