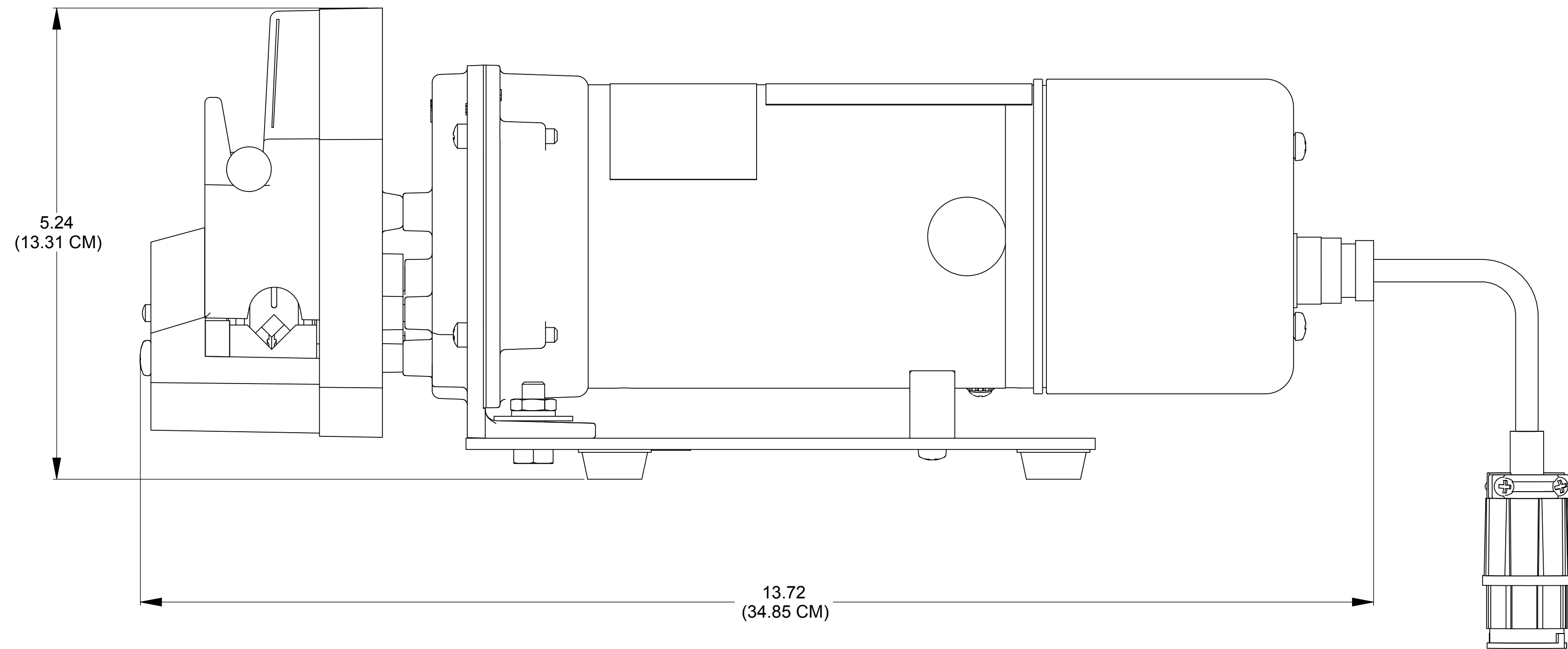
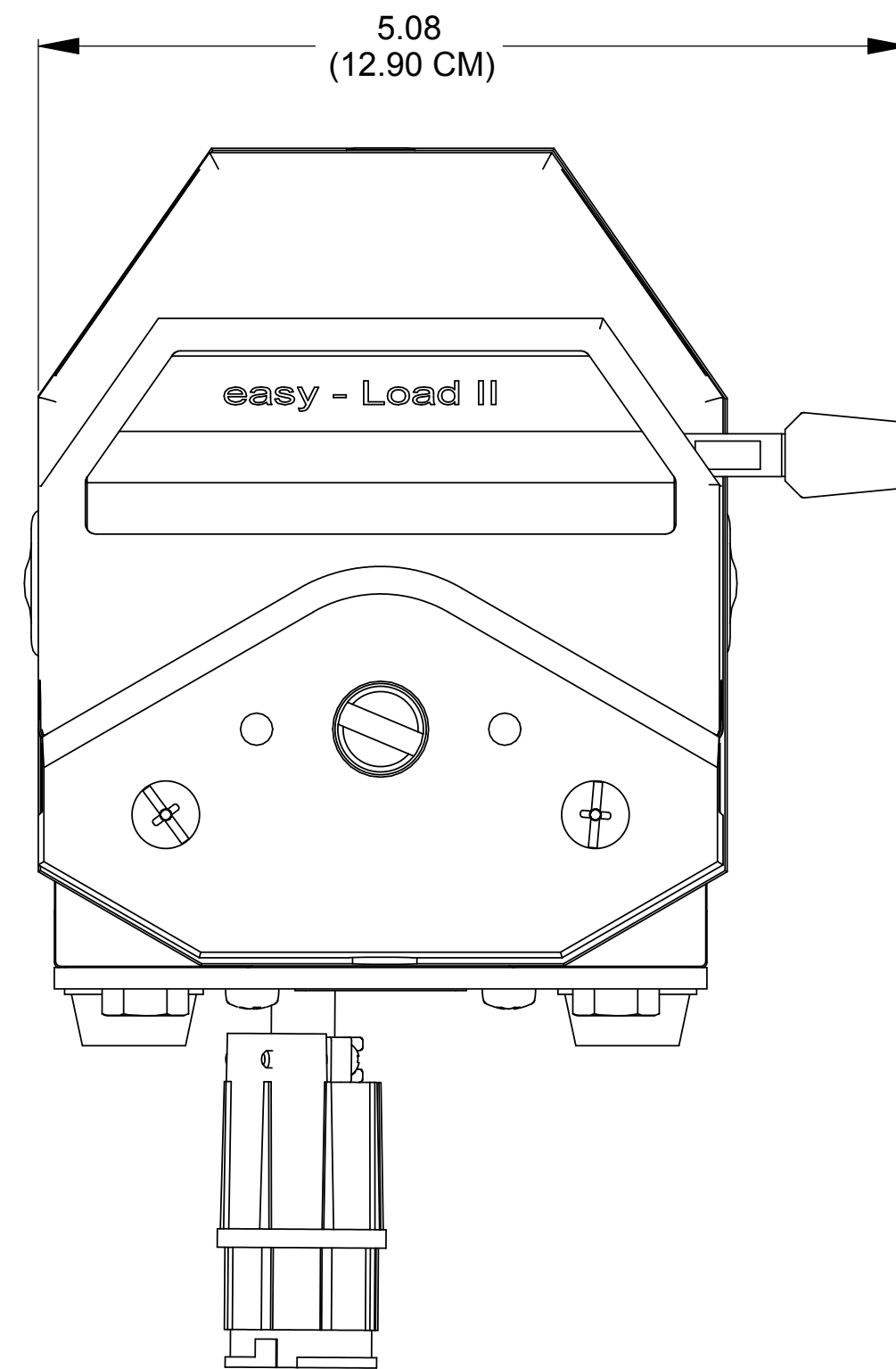
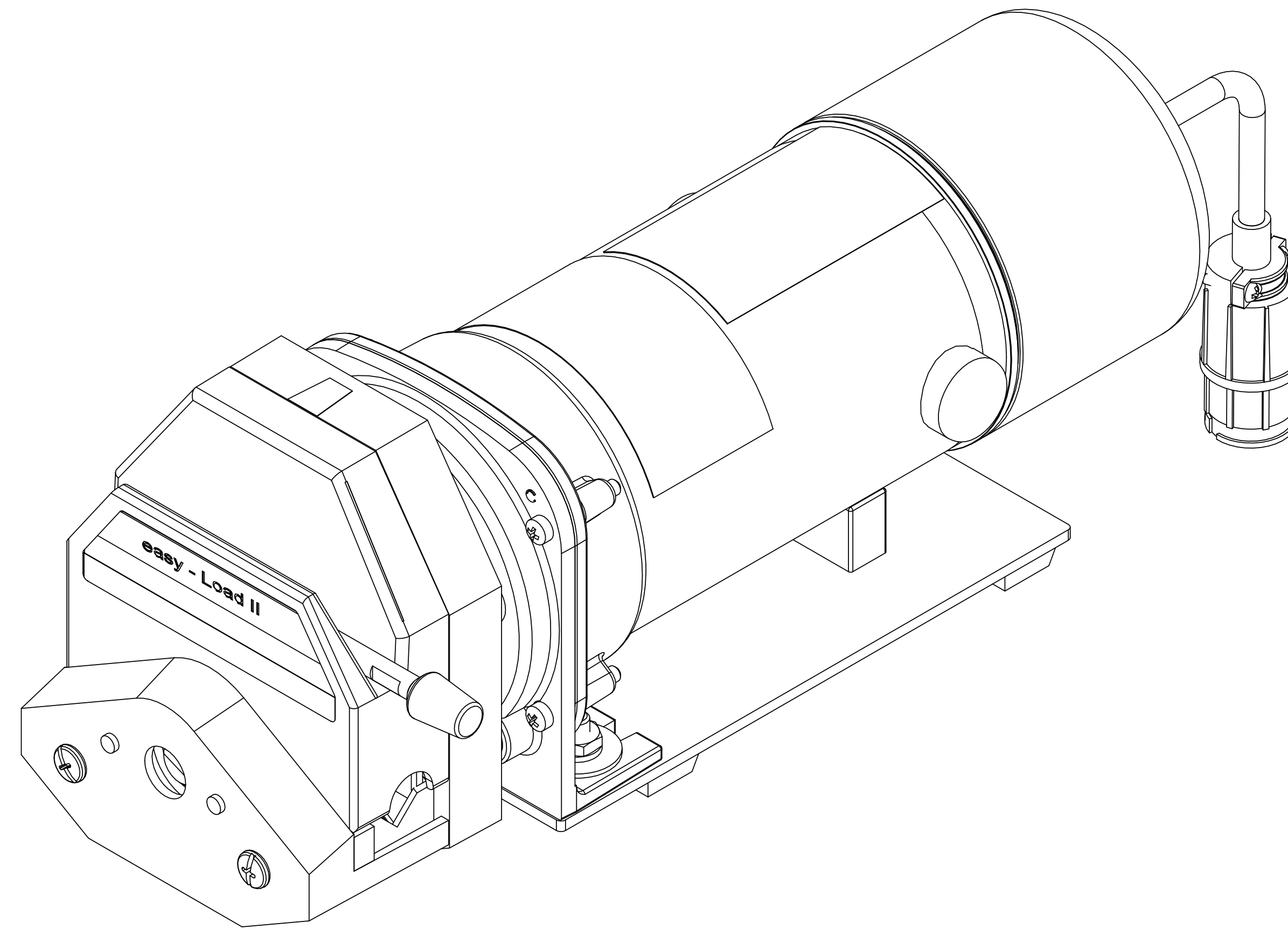


MODEL NUMBERS

955-1010
 956-1010
 955-1015
 956-1015



2. ALL DIMENSIONS ARE IN INCHES (CM)
 1. ALL DIMENSIONS ARE APPROXIMATE

NOTE:

								THE INFORMATION CONTAINED IN THIS DRAWING IS THE SOLE PROPERTY OF THE BARNANT COMPANY. ANY REPRODUCTION IN PART OR WHOLE WITHOUT THE WRITTEN PERMISSION OF THE BARNANT COMPANY IS PROHIBITED.				
								DATE DRAWN: 07/13/05 DRAWN BY: JDM CHECKED BY: JJS APPROVED BY: GJ				
								MATERIAL: NA CERTIFICATION OF CONFORMITY/ COMPLIANCE REQUIRED: <input type="checkbox"/> MATERIAL <input type="checkbox"/> FINISH <input type="checkbox"/> SOURCE CONTROLLED				
								SCALE: 1:1 PART NAME: OUTLINE, DRAWING LS DRV/EZ LDII				
								DO NOT SCALE DRAWING SHEET 1 of 1 DRAWING NUMBER: 108313				
REV	DESCRIPTION	ECN/PRM	DATE	REV	DESCRIPTION	ECN/PRM	DATE	PART No.	PROCESS/FINISH/ MODEL No.			
A	RELEASED FOR PRODUCTION	14595	04/10/06									

UNLESS OTHERWISE SPECIFIED:
 DIMENSIONS ARE IN INCHES
 TOLERANCES ARE:
 .XX
 .XXX
 ANGLES
 MACHINED PARTS TO BE 12GRIND

Barnant
 Barnant Company, 28W092 Commercial Avenue
 Barrington, Illinois 60010-2392 (847)-381-7050