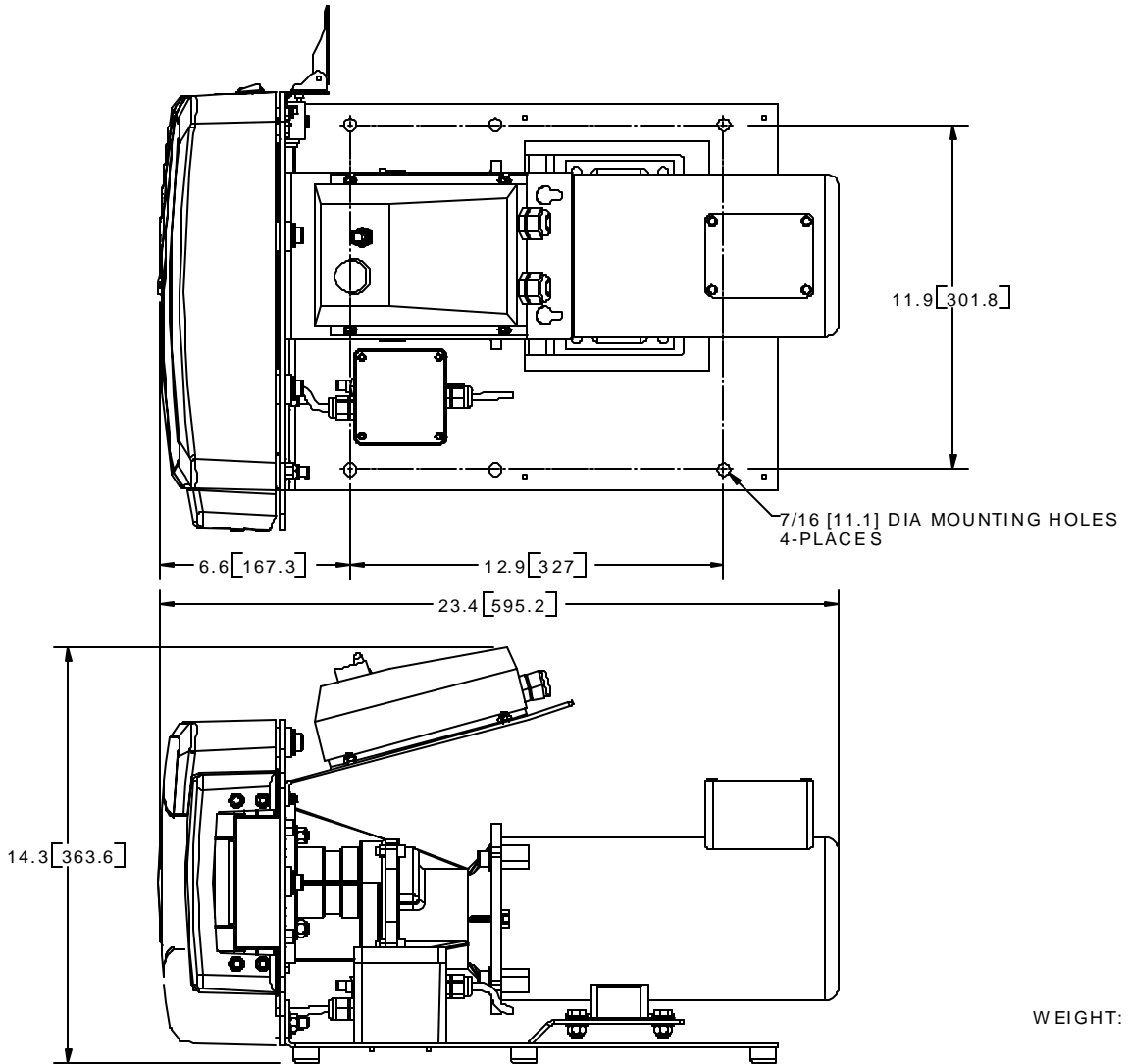
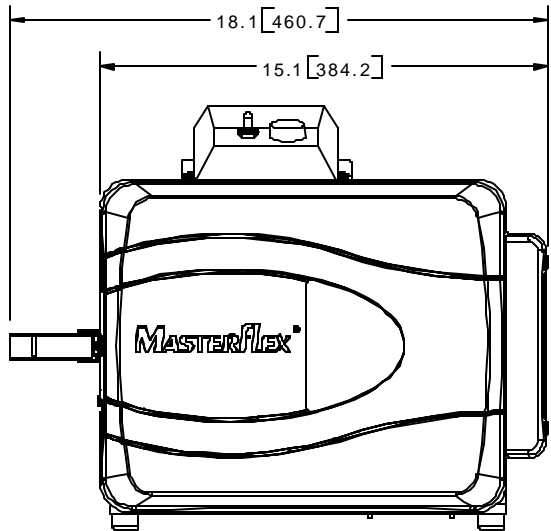


V.A.R. MODEL NUMBERS  
 940-1610  
 940-1615



WEIGHT: 92 LBS  
 42 Kg

|     |             |                        |      |          |             |         |      |          |   |  |   |  |
|-----|-------------|------------------------|------|----------|-------------|---------|------|----------|---|--|---|--|
| A   |             | RELEASE FOR PRODUCTION | PRM  | 07/20/06 |             |         |      |          | <small>THESE DIMENSIONS, TERMS, L.S.Y. OR ANY PART THEREOF, IF REPRODUCED, ARE THE PROPERTY OF BAR NANT COMPANY. NO PART THEREOF IS TO BE REPRODUCED WITHOUT THE WRITTEN PERMISSION OF BAR NANT COMPANY. THIS DRAWING IS THE PROPERTY OF BAR NANT COMPANY. ANY REPRODUCTION IN ANY FORM OR BY ANY MEANS WITHOUT THE WRITTEN PERMISSION OF BAR NANT COMPANY IS PROHIBITED.</small> |  | <b>Bar nant</b><br><small>Bar nant Company - 25 West 32nd Street - New York, NY 10001<br/>       Bar nant Inc. - 60 West 23rd Street - New York, NY 10011</small> |  |
| REV | DESCRIPTION | ECN/REV                | DATE | REV      | DESCRIPTION | ECN/REV | DATE | PART No. | PROCESS/FINISH/MAKE/NO.   | SCALE: 1:2<br>PART NAME: <b>OUTLINE DRWG 940-1610 &amp; -1615</b><br>DRAWING NUMBER: <b>108441</b> | CERTIFICATION OF CONFORMITY: <input type="checkbox"/> MATERIAL <input type="checkbox"/> FINISH <input type="checkbox"/> SOURCE<br>CONFORMING TO SPECIFICATIONS    |  |